

Cord Reel

Cord Reel

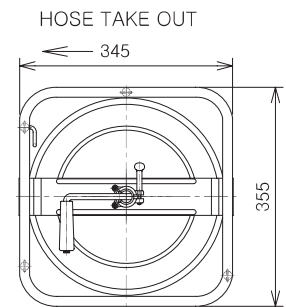
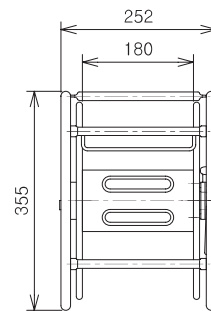
Cord Reel increases greatly work efficiency and safety when dealing with electrical equipments. After work, it is easy to rewind the cable with a handle and make a use of it instantly to the following work. Additionally, the cord is considerably durable. There are various types based on the cable length.

PM Type Manual Rewind (Portable cord reel)

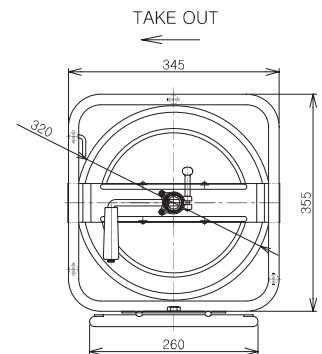
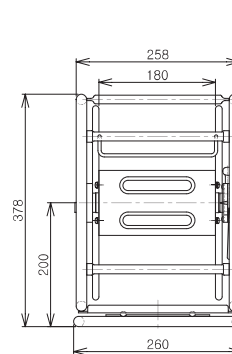
- Use : Interior work sites(using electric machine), Industrial site, Laboratory
- Features : Steel products with solid structure
Corrosion-resistance by powder-blast painting
Easy movement and storage by using a manual handle
Equipped with a brake
Able to be equipped various cords in thickness and length



PM Reel (Normal type)



PM Reel (Swivel type)



Model	Cable		Maximum Capacity Max (V×A)	Weight (kg)	Remark
	Cable Specifications	L (M)			
EPM-230	VCTF-1,5 SQ×3C, Outlet	30	220V×10A	7,5	For Indoor
EPM-240	VCTF-1,5 SQ×3C, Outlet	40	220V×10A	8,0	For Indoor
EPM-250	VCTF-1,5 SQ×3C, Outlet	50	220V×10A	8,5	For Indoor
EPMR-230	VCTF-1,5 SQ×3C, Outlet	30	220V×10A	7,5	For Indoor
EPMR-240	VCTF-1,5 SQ×3C, Outlet	40	220V×10A	8,0	For Indoor
EPMR-250	VCTF-1,5 SQ×3C, Outlet	50	220V×10A	8,5	For Indoor