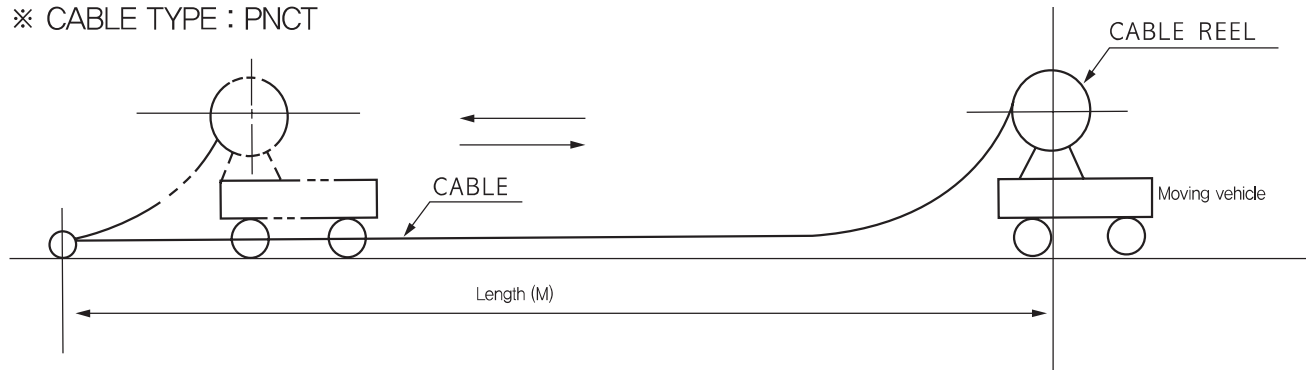


Spring Type

Spring Type Cable Reel

Horizontal Rewinding for a Moving Vehicle (Moving Reel)

※ CABLE TYPE : PNCT

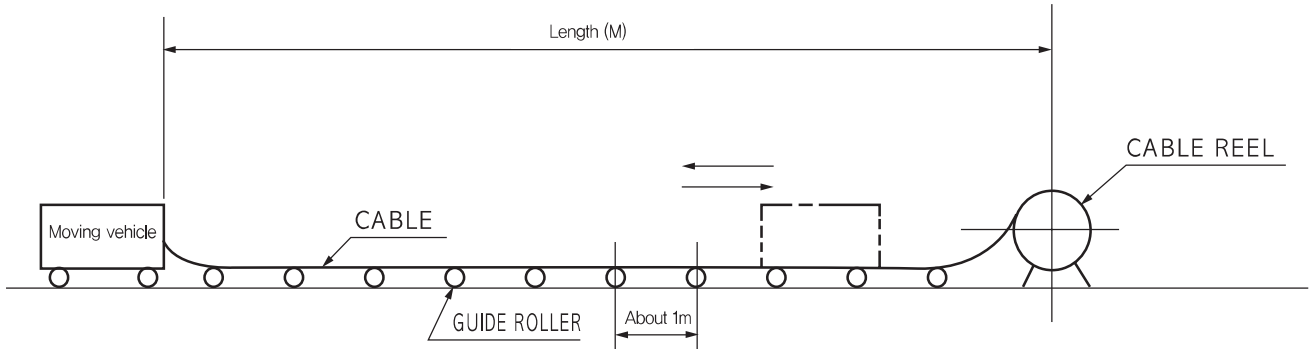


※ The number written in the following table indicates the schematic number so, you can get the sizes of the external shapes with these number at the back.

Current (A) SLIPRING	Length(m)		10		15				20				25				30		35			40			50		60		70	
	Form	Name DRUM	ECC		ECS	EU	ECC		ECS	EU	ECC		ECS	EU	ECC	ECS	ECC	ECS	ECA	ECC	ECS	ECA	EAJ	EA	EA	EA	EA			
			25	35	25	35	45	40	25	35	45	50	25	35	45	50	35	45	35	45	50	35	45	50	60	50	50	70	50	70
20(A)	2.5(mm)×4(c)		1	1			2			2				5	5			6						32	32		42			
	5		1	1			2			4				5	5			6						32	32		42			
	6		1	2			8	3			4			5	6			6						32		42		42		
	8			4	5				6	10	6			7	7			15						32		34		44		
	10			5	6				7		7	15			15	15			16				25	35		35		35		
	12			5	6				7		7	15			15	15			16				25	35		35		37		
30(A)	4.0(mm)×3(c)		1	1			2			2							5		6					32	32		42			
	4		1	2			3				4			5	6			6						32	32		42			
	5		1	2			3				5			5	6			7						32	32		42			
	6			4	5				6	10	6			6	7			7						32		34		44		
	8			5	5				6		7			7	15			15						34		34		44		
	10					14			9			15	11		15	19			16		16			16	28	35		35	41	
30(A)	6.0(mm)×3(c)		1	2			3				4			5	6			6						32	32		42			
	4		1	2			3				5			6	6			7						32		42	44			
	5			4	5				5		5			6	7			7						32		42	44			
	6			5	5				6	12	6			15	15			15						34		34		44		
	8			5	6				7			15			16	16			16					34		34		44		
	10					15			9			16			16	19			16		22			22	28	44		44	41	
40(A)	10(mm)×2(c)																													
	3			4	2						5			5	17	6		6						32		42	42			
	4			4	5						6			6	17	7		7						15		32	34	44		
	5			5	5						6	12		6	18		15	15						15		34	34	44		
	6			5	6						7			7			16	16						16		34	34	44		
60(A)	16(mm)×2(c)																													
	3					14					8		7	12		6	18		15	19				15		32	34	44		
	4					14					8		7	13		7	18		16	16				15		34	34	44		
	4					14					8		15	13		7	15							16	19	16	21	34	34	36

On-ground Rewinding (Fixed Reel)

※ CABLE TYPE : PNCT

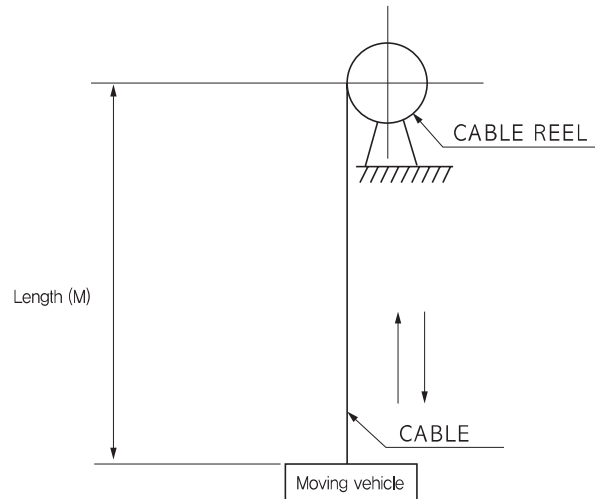


※ The guide roller must be installed at interval of 1m, ※ The number written in the following table indicates the schematic number so, you can get the sizes of the external shapes with these number at the back,

Current (A) SLIPRING	Length(m)		10		15				20			25			30	
	Form	Name DRUM	ECC		ECC	ECS	EU	ECC	ECS	EU	ECC	ECS	EU	ECC	ECS	
			25	35	25	35	45	40	25	35	45	50	25	35	45	50
20(A)	2.5(mm ²)×4(c)	1		2				2					5		5	
		5	1		21				4				5		5	
		6	1			5		8	5				5		5	
		8				5			6	10			6		7	
		10					14	9	7				15		15	
		12					14		7				15		15	
30(A)	4.0(mm ²)×3(c)	1		2				2				5		5		
		4	1		2				5			5		5		
		5	2			5		8	5			5		6		
		6				5			6	10			6		7	
		8				6			7				7		15	
		10					15	9		15	11		15	21	16	
30(A)	6.0(mm ²)×3(c)	1		2					5			5		5		
		4	2			5			5			5		6		
		5				5			6			6		7		
		6				5			6	12			6		15	
		8					14						15		16	
		10					15	9		15			16	21	16	
40(A)	10(mm ²)×2(c)								16							
		3	2			5			5			5				
		4				5			6	12		6				
		5				5			6	14			15	20	15	
		6					14			15			15	20	16	
60(A)	16(mm ²)×2(c)					5		8	6	14	12		6		20	15
		3				6		8	7	14	13		15	20	16	
							14		8				15	20	16	
		4					14		8			15	20	16		

Vertical Rewinding (Fixed Reel)

※ CABLE TYPE : PNCT



※ The number written in the following table indicates the schematic number so, you can get the sizes of the external shapes with these number at the back,

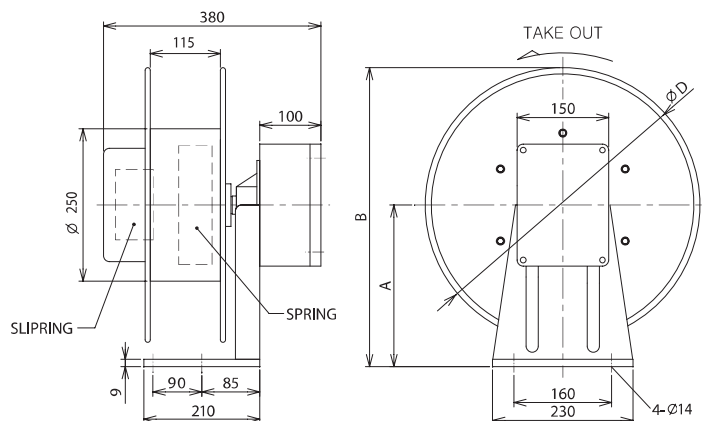
Current (A) SLIPRING	Length(m)		10				13				16				20			25		
	Form	Name	ECC	ECC	ECS	EU	ECC	ECS	EU	ECC	ECS	ECA	ECC	ECS	ECA	ECC	ECS	ECA		
		DRUM	Cable size	25	35	45	40	35	45	50	35	45	50	35	45	50	35	45	50	
20(A)		2.5(mm) ² ×4(c)	1	4						4			5							
		5	1	4						4			5							
		6		4		8-1				5			5							
		8		5					10	6			6							
		10			14	9-1		14			15	20		15						
		12			14	9-1		14			15	20		15						
30(A)		4.0(mm) ² ×3(c)	1	4			4			4			5							
		4		4			5			5			5							
		5		4			5		10	5			6							
		6		5		8-1	6	14		6			6							
		8			14			15	12		14	20		14						
		10			15	9-1		15	12		15	20		15	21			21		
30(A)		6.0(mm) ² ×3(c)	1	4			5			5			5							
		4		4			5			5			6							
		5		5			6			5			6	14						
		6			14		6		12	6			6					15		
		8			14			14			15			16	22					
		10			15	9-1		15	13		16	21		16	22					
40(A)		10(mm) ² ×2(c)											6							
		3		4			5			5			6							
		4		5			6			6				14						
		5		5			6		12	6	14			19						
		6			14			14			15			15						
60(A)		16(mm) ² ×2(c)		5	14	8-1	6		12	6	14			14						
		3			14	8-1		14	13	7	14			14						
		4			14	8-1		14	13		15			15						

Spring Type

Spring Type Cable Reel

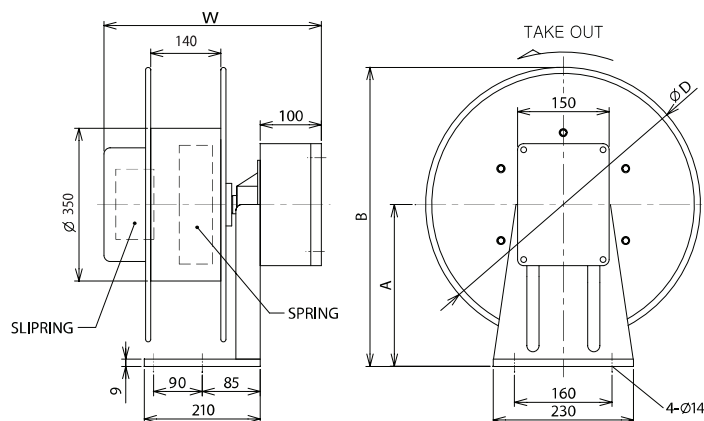
ECC 25

No. of External schematic	Classification		
	A	B	D
1	240	440	400
2	265	490	450
3	290	540	500



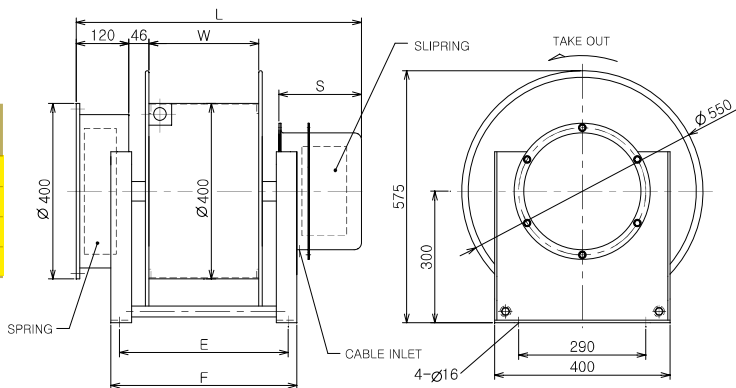
ECC 35

No. of External schematic	Classification			W	
	A	B	D	Pole 2~6	Pole 6~12
4	290	540	500	410	510
5	315	590	550	410	510
6	340	640	600	410	510
7	365	690	650	410	510



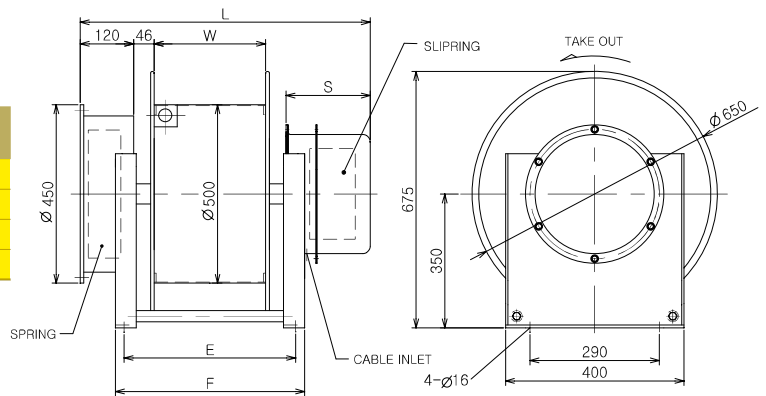
EU 40

No. of External schematic	SP	Pole (P)	E	F	L	S	W
8	D1	2~6	385	424	650	180	250
9	D1	7~10	485	524	850	280	350
8-1	D2	2~6	385	424	650	180	250
9-1	D2	7~10	485	524	850	280	350



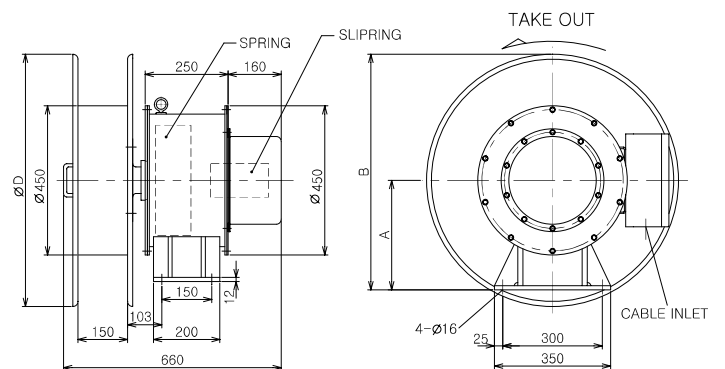
EU 50

No. of External schematic	SP	Pole (P)	E	F	L	S	W
10	D1	2~6	385	424	650	180	250
11	D1	2~10	485	524	850	280	350
12	D2	3~6	385	424	650	180	250
13	D2	7~10	485	524	850	280	350



ECS 45

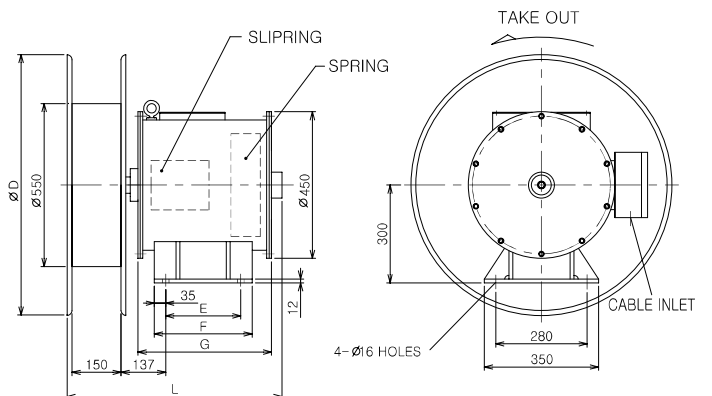
No. of External schematic	Classification	A	B	D
	14		280	605
15		350	730	760
16		350	780	860



ECA 50

No. of External schematic	SP	Pole (P)	D	E	F	G	L
	17	D1	2~12	700	230	300	409
18	D1	2~12	760	230	300	409	660
19	D1	2~12	860	230	300	409	660

No. of External schematic	SP	Pole (P)	D	E	F	G	L
	20	D2	2~12	760	250	320	450
21	D2	2~12	860	250	320	450	700
22	D2	2~12	960	250	320	450	700



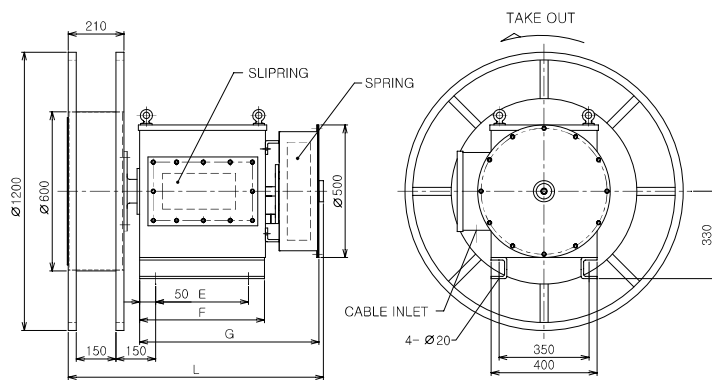
Spring Type

Spring Type Cable Reel

EAJ 60

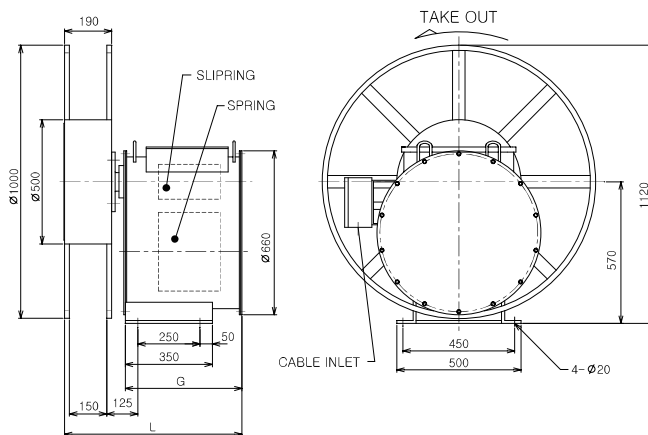
No. of External schematic	SP	Pole (P)	E	F	G	L
23	D1	2~5	250	350	470	750
24	D1	6~10	350	450	615	900
25	D1	11~12	350	450	715	1000
26	D2	2~5	250	350	470	750
27	D2	6~10	350	450	615	900

No. of External schematic	SP	Pole (P)	E	F	G	L
28	D2	11~12	350	450	715	1000
29	D3	2~5	250	350	520	830
30	D3	6~10	350	450	665	980
31	D3	11~12	350	450	765	1100



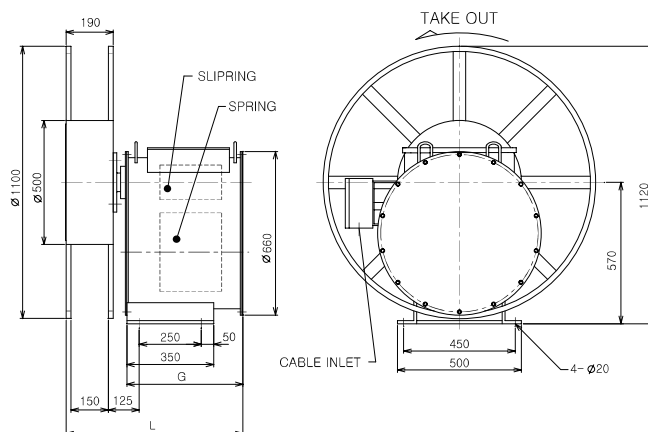
EA 50

No. of External schematic	SP	Pole (P)	G	L
32	D1	2~8	400	650
33	D1	9~12	475	725
34	D2	2~8	400	650
35	D2	9~12	475	725
36	D3	2~8	400	650
37	D3	9~12	475	725



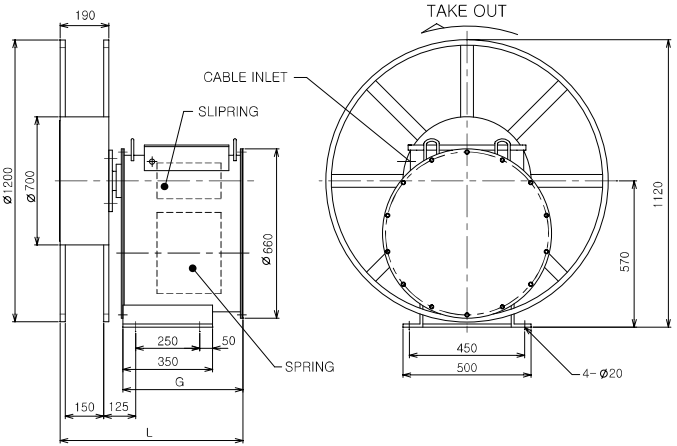
EA 50

No. of External schematic	SP	Pole (P)	G	L
38	D2	2~6	400	650
39	D2	9~12	475	725
40	D3	2~8	400	650
41	D3	9~12	475	725

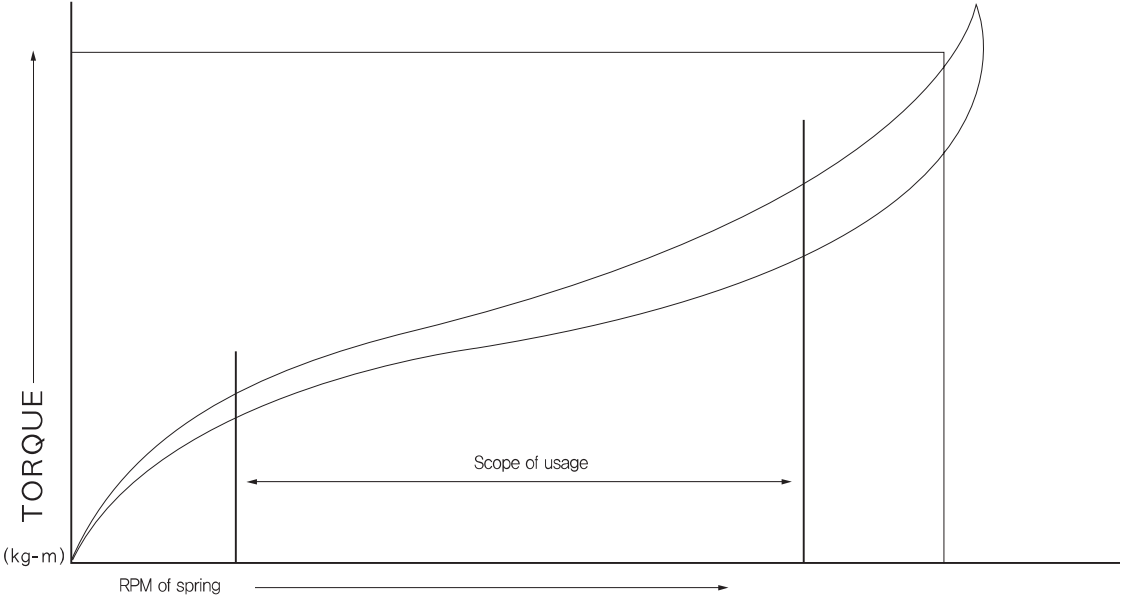


EA 70

No. of External schematic	SP	Pole (P)	G	L
42	D1	2~8	400	650
43	D1	9~12	475	725
44	D2	2~8	400	650



Vertical Rewinding (Fixed Reel)



- It is custom built with various specifications, appropriate to on-site conditions, installation places and environment to use it.
- Special equipments (for sound, image and underwater) are also custom built and over 50 pole is manufactured as well.