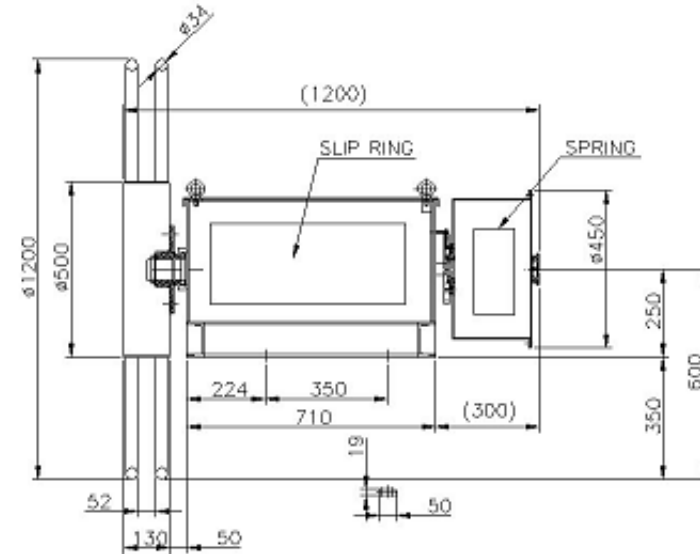
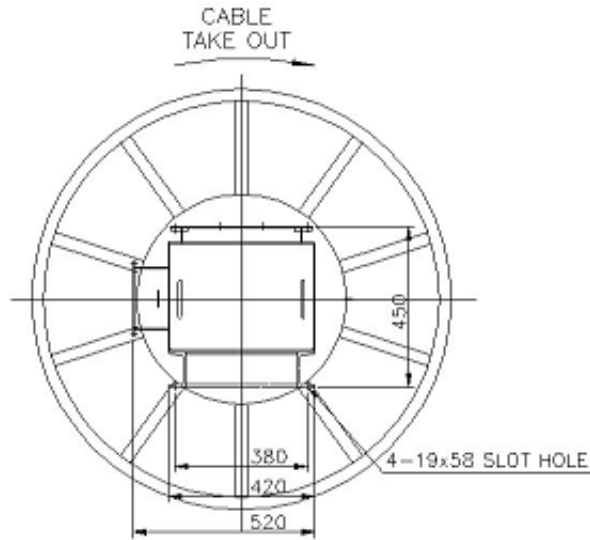


MARK	REVISIONS NO	REASONABLE REVISIONS	DATE	DWH	APVD



SPECIFICATION

- 1. Cable
 - o HT-PNCT 16 sq.mm x 6c + 2.5 sq.mm x 23c
 - o Size : approx. ϕ 46 mm
 - o Weight : approx. 3.8kg/m
 - o Length : 15m
- 2. Winding Length : 13m
- 3. Winding Speed : max. 30 m/min
- 4. Power Source : AC440V, 3ph, 60Hz
- 5. Slip Ring : 60A x 6P + 10A x 23P
- 6. Paint Color : MUNSELL No. 7.5 BG6/1.5 (In Door)
- 7. Setting Height : Max. 1.5 m from G.L.
- 8. Q'ty : - Set

* 터미널 작업 시 견고히 할 것.

ITEM	PARTS NO.	PART NAME	MATERIAL	Q'TY	REMARKS
PROJECTION 3rd ANGLE	DRAWING NO. METRIC (mm)	SCALE 1 : 10	MODEL	EAJ-16S2S15-29	
CUSTOMER 이노시스엠	PART NAME 외형도		PART NO. -		
MODEL COLOR 7.5 BG6/1.5	DRAWING		DESIGN	CHECK	APPROVAL
SIGN	DATE		2013.6.11	 SAMKOOK INDUSTRIAL CO., Ltd	